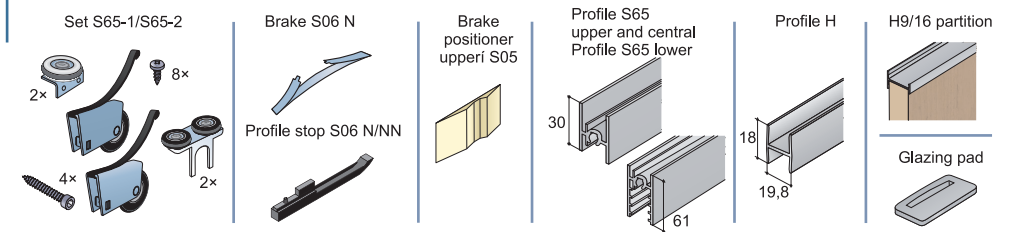
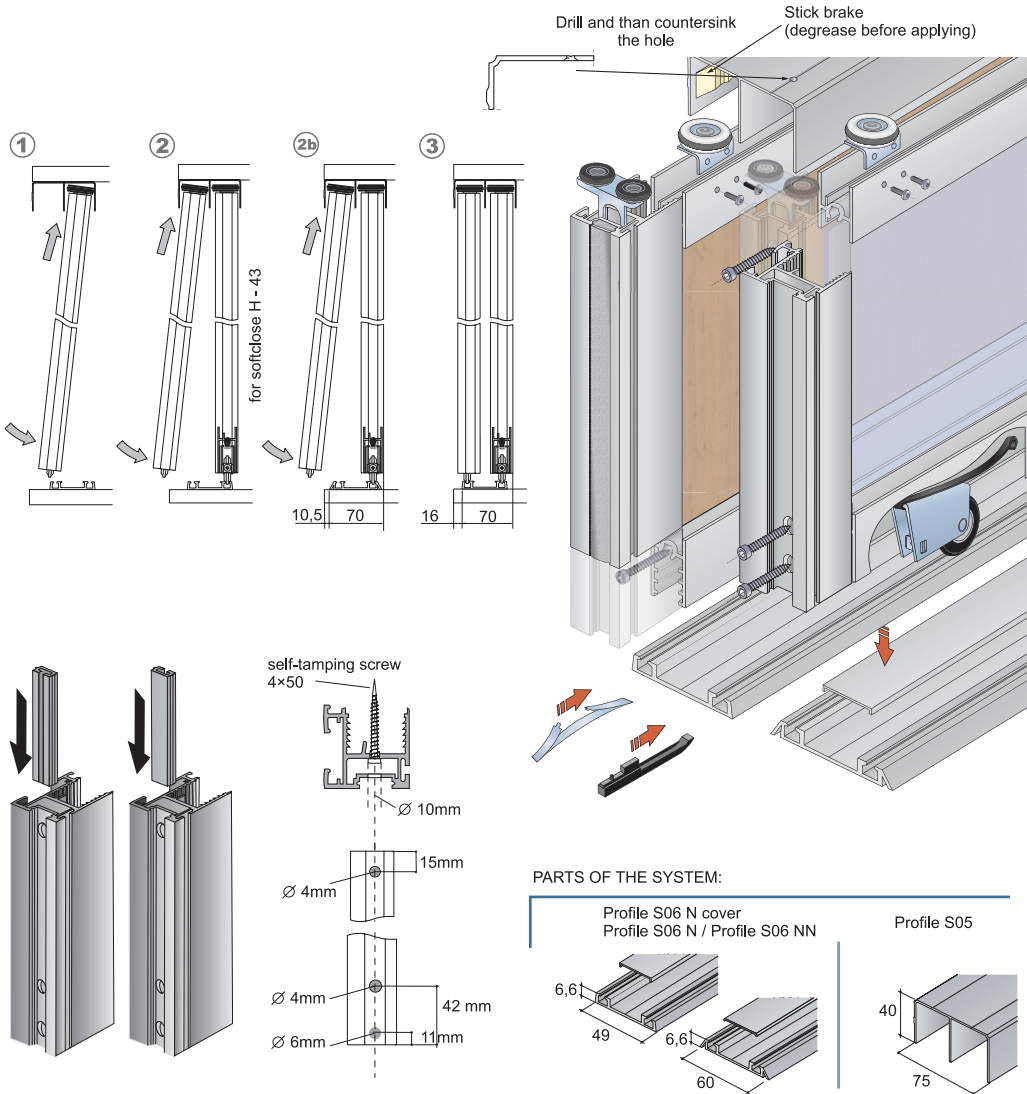


S65-1/2 - the fitting for built-in wardrobe



S65-1/2 - the fitting for built-in wardrobe

